

Name _____

8 O Oxygen 15.999	↑ ↑ ↑ ↑	Atomic number equals the number of _____ or _____ Atomic mass equals the number of _____ + _____
----------------------------	------------------	---

8 O Oxygen 15.999

Atomic # = 8
Atomic Mass = 16
of Protons = 8
of Neutrons = 8
of Electrons = 8

30 Zinc 65.39

Atomic # = _____
Atomic Mass = _____
of Protons = _____
of Neutrons = _____
of Electrons = _____

3 Li 6.941

Atomic # = _____
Atomic Mass = _____
of Protons = _____
of Neutrons = _____
of Electrons = _____

14 Silicon 28.086

Atomic # = _____
Atomic Mass = _____
of Protons = _____
of Neutrons = _____
of Electrons = _____

5 B 10.81

Atomic # = _____
Atomic Mass = _____
of Protons = _____
of Neutrons = _____
of Electrons = _____

35 Bromine 79.904

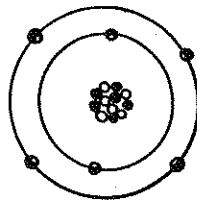
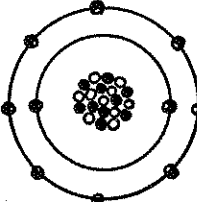
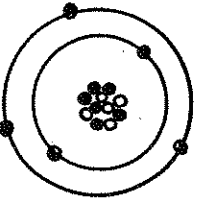
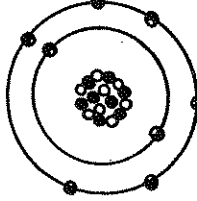
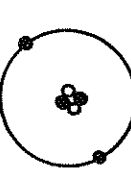
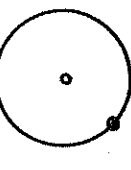
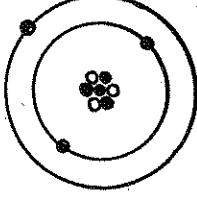
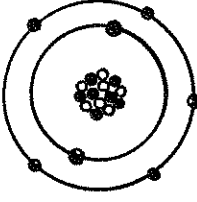
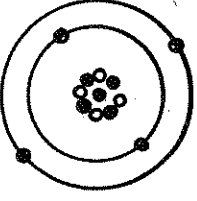
Atomic # = _____
Atomic Mass = _____
of Protons = _____
of Neutrons = _____
of Electrons = _____

WHICH ATOM IS WHICH?

○ = protons
● = neutrons
⊙ = electrons

Every kind of atom has its own unique look. All the atoms of an element have this same look. Here's a chance for you to look at some atoms and tell what elements they are. Write the name of the element next to each atom. You may need to use the Periodic Table to help you out. (You can find one on page 52 of this book.)

Elements • Periodic Table

 A. _____	 B. _____	 C. _____
 D. _____	 E. Helium	 F. _____
 G. _____	 H. _____	 I. _____

Name _____

Basic Skills/Physical Science 5-8+ Copyright ©1997 by Inventive Publications, Inc., Nashville, TN